

Pressure Gauge In-Line Filters Model 910.22

Applications

- For mounting to pressure gauges in dirt-sensitive hydraulic and pneumatic systems
- To filter out solid substances from gaseous and liquid media (retention of particulates)

Special Features

- They avoid:
 - Plugging of small gauge pressure entries and capillary throttles
 - Accumulation of particles in dirt-sensitive gauge interiors and its consequences
- Furthermore they have an effect of a throttle and damp shock pressure



Pressure Gauge In-Line Filters, Model 910.22

Description

Filter body

Stainless steel 1.4571

Filter disk

Stainless steel 1.4404

Grade of filtration

200 µm

Porosity

30 ... 50 %

Temperature range

-25 ... +200 °C

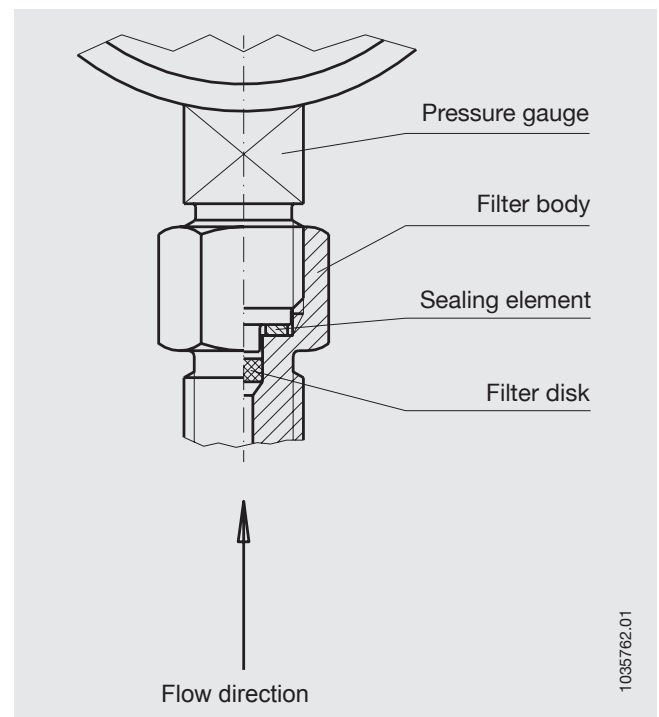
Operating pressure

depends on the sealing washer the customer uses

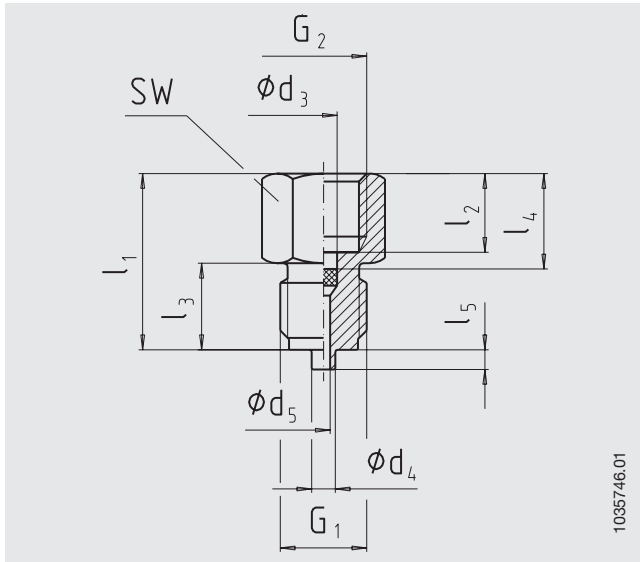
- Sealing element PTFE: PN max. 100 bar
- Sealing element stainless steel 1.4571: PN max. 1600 bar

Process connection

Male and female thread per EN 837-1
or male thread NPT



1035762.01

Dimensions in mm


Process connection		Dimensions in mm									Order no.
G ₁	G ₂	d ₃	d ₄	d ₅	l ₁	l ₂	l ₃	l ₄	l ₅	SW	
G ½ B	G ½	7	6	3.5	46	19	20	22	3	27	9092005
M20 x 1.5	G ½	7	6	3.5	46	19	20	22	3	27	9092013
½ NPT	G ½	7	–	3.5	44	19	19	22	–	27	9092021
G ¼ B	G ¼	5.5	5	3	32	13	13	15	2	17	9092030
M12 x 1.5	G ¼	5.5	5	3	32	13	13	15	2	17	9092048
¼ NPT	G ¼	5.5	–	3	30	13	13	15	–	17	9092056

Sealing elements

Sealing elements for thread G ₂	PN in bar	Material	Order no.
G ½	100	PTFE	9091173
G ½	1600	stainless steel 1.4571	9092099
G ¼	100	PTFE	9092080
G ¼	1600	stainless steel 1.4571	9092161

Spare parts

Disk for thread G ₂	Material	Order no.
G ½	stainless steel 1.4404	9092064
G ¼	stainless steel 1.4404	9092072